

ENGINE ORDER TELEGRAPHS SYSTEM

ENGINE ORDER TELEGRAPHS

TYPE: SCM-2L

MODEL: PM-C-2L
(Standard telegraph)

SCM
SISTEMAS



FEATURES

- Order selection by lever.
- Order indication using LEDs.
- Material: ABS polymer.
- Includes alarm devices for both supply and main failures.
- Allows external acoustic/luminous alarms activation. (for noisy areas: engine room, etc.)
- Includes buzzer for low-noisy areas: wheelhouse, cabin, etc).
- Admits interface to communicate with the VDR.

TECHNICAL SPECIFICATIONS

Power supply	24 VDC
Power consumption	10 W
Operating temperature	-20°C to +50°C
Relative humidity	Up to 95% (non condensing)
Assembly	Console
Weight	Approx 2.5 kg
IP-rating	54

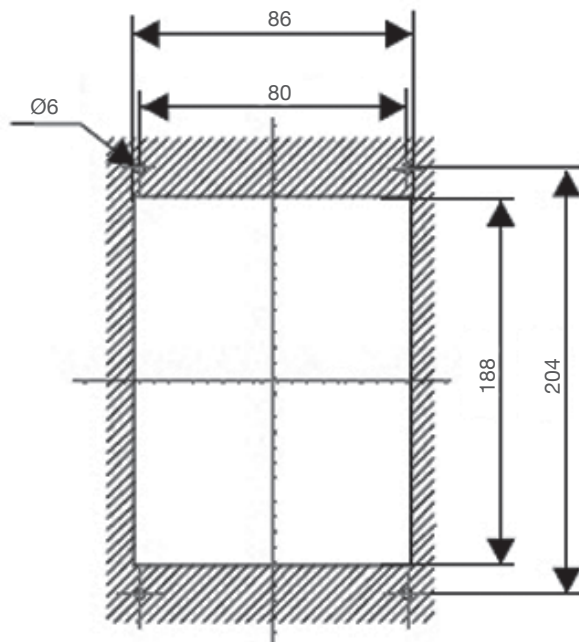
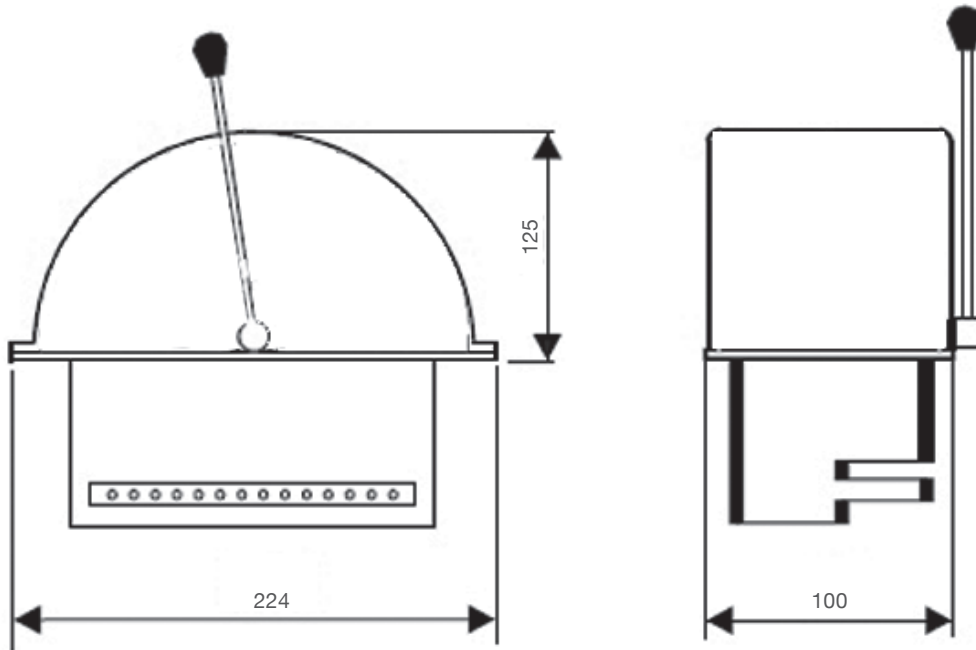
ENGINE ORDER TELEGRAPHS SYSTEM

ENGINE ORDER TELEGRAPHS

TYPE: SCM-2L

MODEL: PM-C-2L
(Standard telegraph)

SCM
SISTEMAS



HOLES FOR MOUNTING