

RUDDER ANGLE INDICATORS

RECEIVER

TYPE: I-C

MODEL: I-C-2S-360°

(Receiver for console assembly)

SCM
SISTEMAS



FEATURES

- Quiet, steady and resistant rudder angle indicator.
- Material: ABS plastic and methyl methacrylate.
- Includes 2 tapered scales:
Port: from 0° to 180° (green colour).
Starboard: from 180° to 360° (red colour).
- Indication made by steeper motors.

TECHNICAL SPECIFICATIONS

| | |
|-----------------------|----------------|
| Power supply | 230 VAC |
| Power consumption | 100 W |
| Operating temperature | -20°C to +50°C |
| Resolution | 1° |
| Accuracy | 0,5° |
| Assembly | Console |
| Weight | Approx 2 kg |
| IP-rating | 54 |

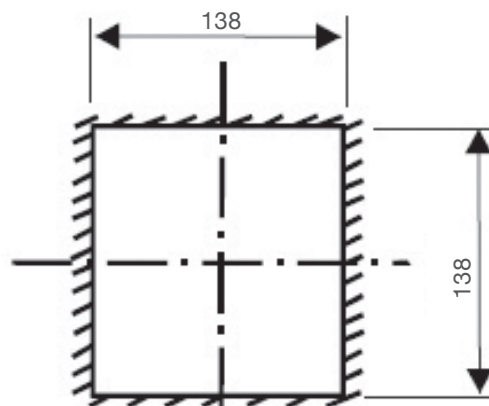
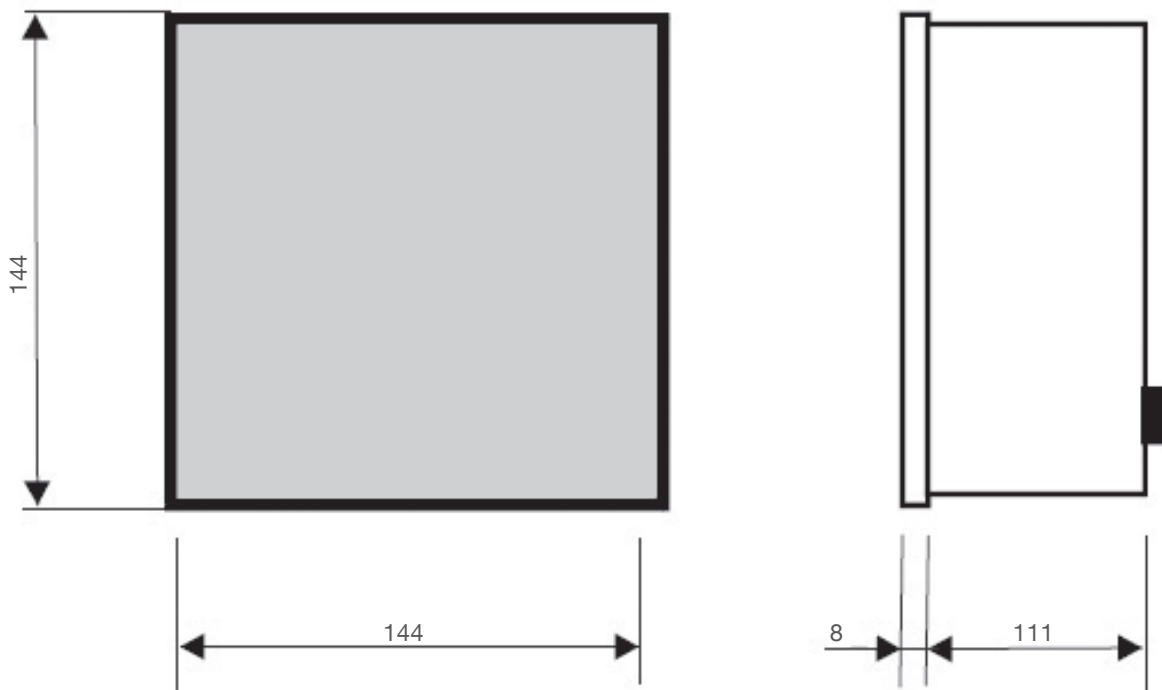
RUDDER ANGLE INDICATORS

RECEIVER

TYPE: I-C

MODEL: I-C-2S-360°
(Receiver for console assembly)

SCM
SISTEMAS



HOLES FOR MOUNTING