

PUBLIC ADDRESS SYSTEM

LOUDSPEAKERS

TYPE: SCM-PA

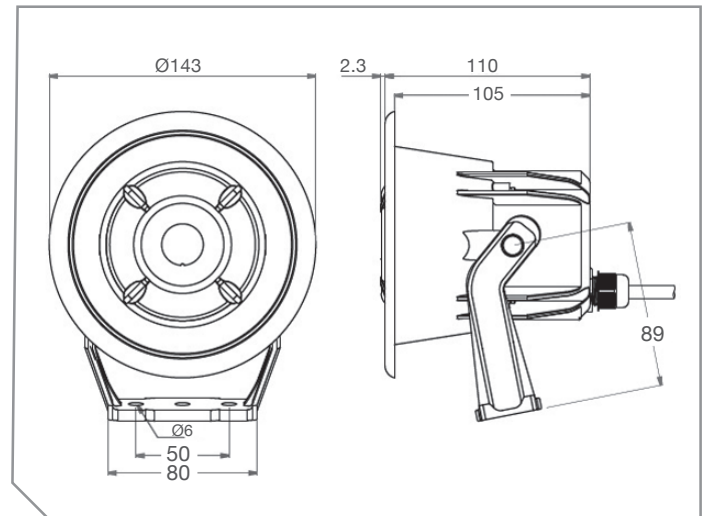
MODEL: PA-ALT-E5

SCM
SISTEMAS



FEATURES

- Public address exterior horn-loudspeaker.
- Material: ABS plastic (white RAL 9016).
- For use on deck areas. Ingress protected to IEC529.
- Corrosion, chemical and fire resistant.
- Bracket or recessed mounted for ceiling or wall.
- For use on deck areas, engine room, etc.
- Equipped with rust-proof V4A exterior hardware.



TECHNICAL SPECIFICATIONS

Power output	12 W
Frequency range	300 Hz - 6 KHz
Impedance	833Ω, 1.1 KΩ, 1.67 KΩ, 3.33 KΩ, 10 KΩ & 8 KΩ
Angle dispersion (1 KHz / 4KHz)	70° - 90°
Max. SPL (Rated 1W/1M)	112 dB
Weight	Approx. 1 Kg.
IP-rating	67